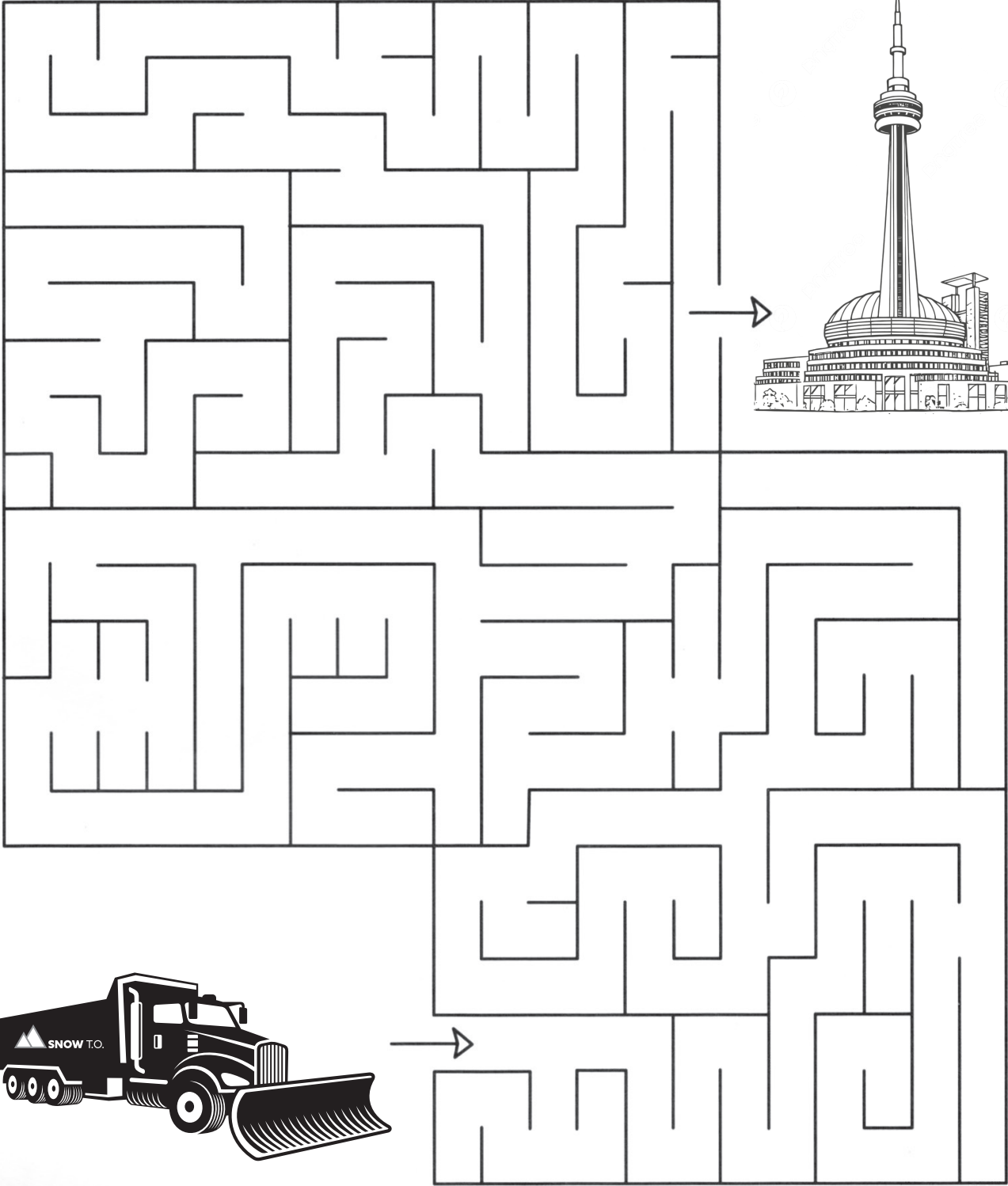


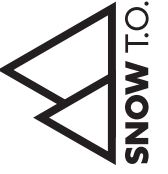
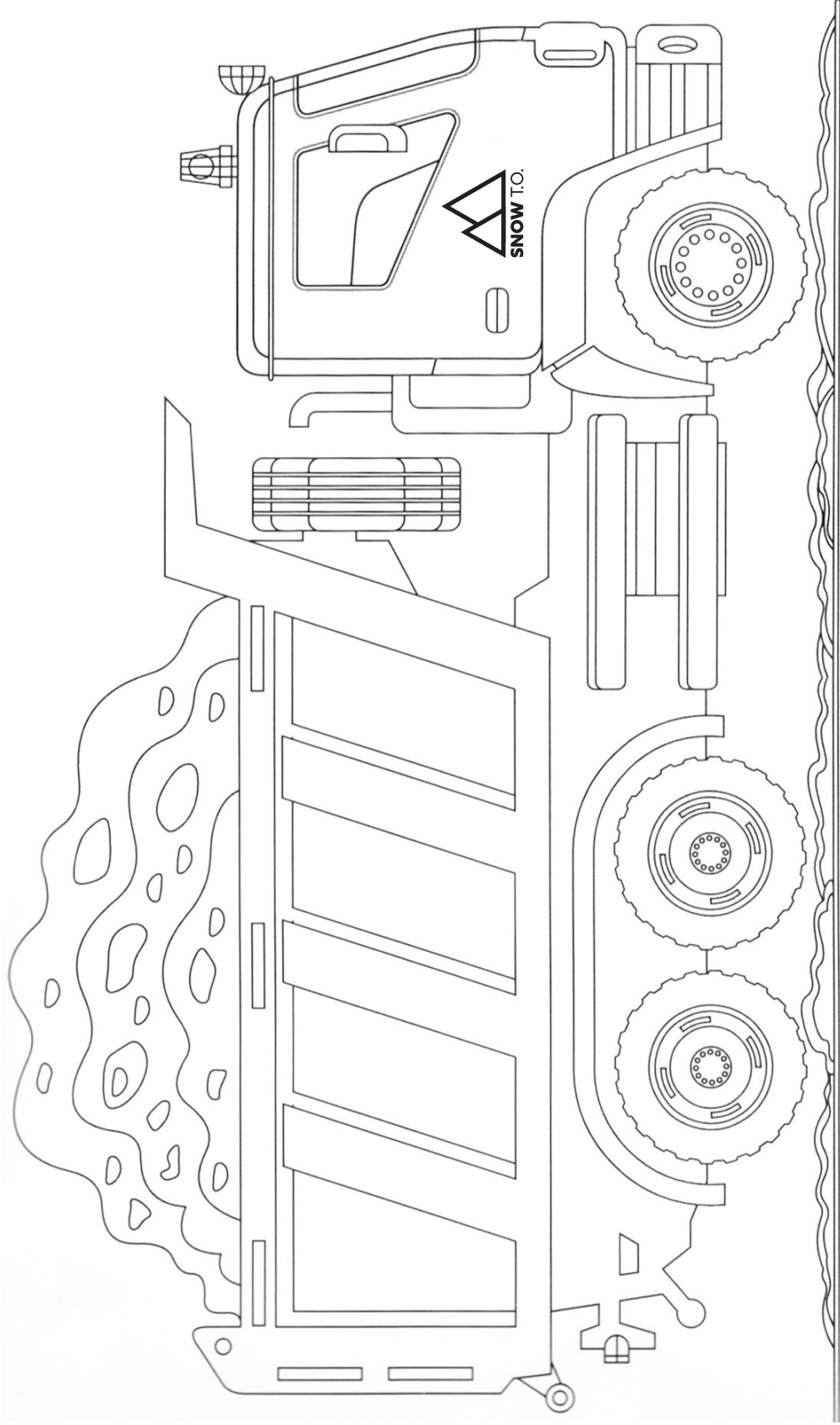
**SNOW T.O.**

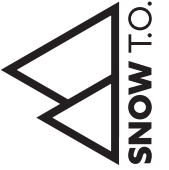
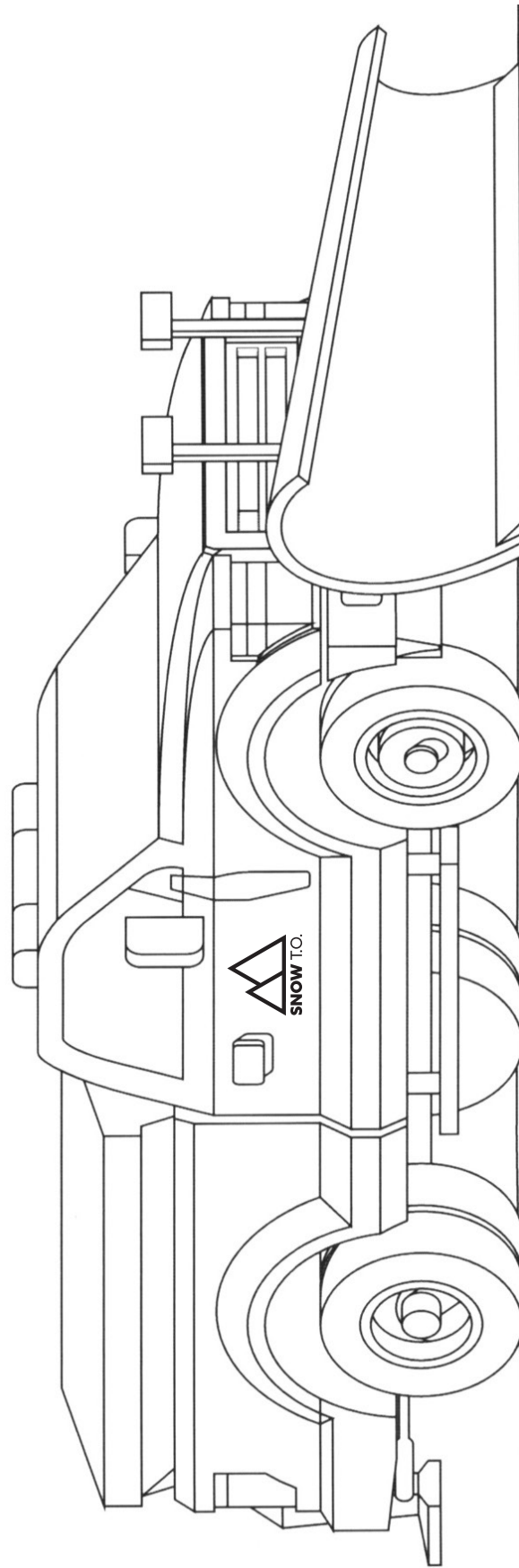
# ACTIVITY BOOK



# Help this snow plow get to the CN Tower.









# WINTER

N K S L I P U H O F D B  
A X T C Z S M L E R S W  
Y P F B U K D I J N O H  
M Z R S C A R F T L C E  
S N O W J T H S P T K D  
F G Z I C E V N A B S M  
O K E X T U C O L D H Q  
R B N A Y I T W Z P F S  
T Q O D U A G M E L T K  
S C P O H B F A J A N I  
U W I N T E R N K Y G X  
Z A H F M S L E D O B P

boots hat plow slip  
coat ice scarf snow  
cold melt skate snowman  
forts mitts ski socks  
frozen play sled winter

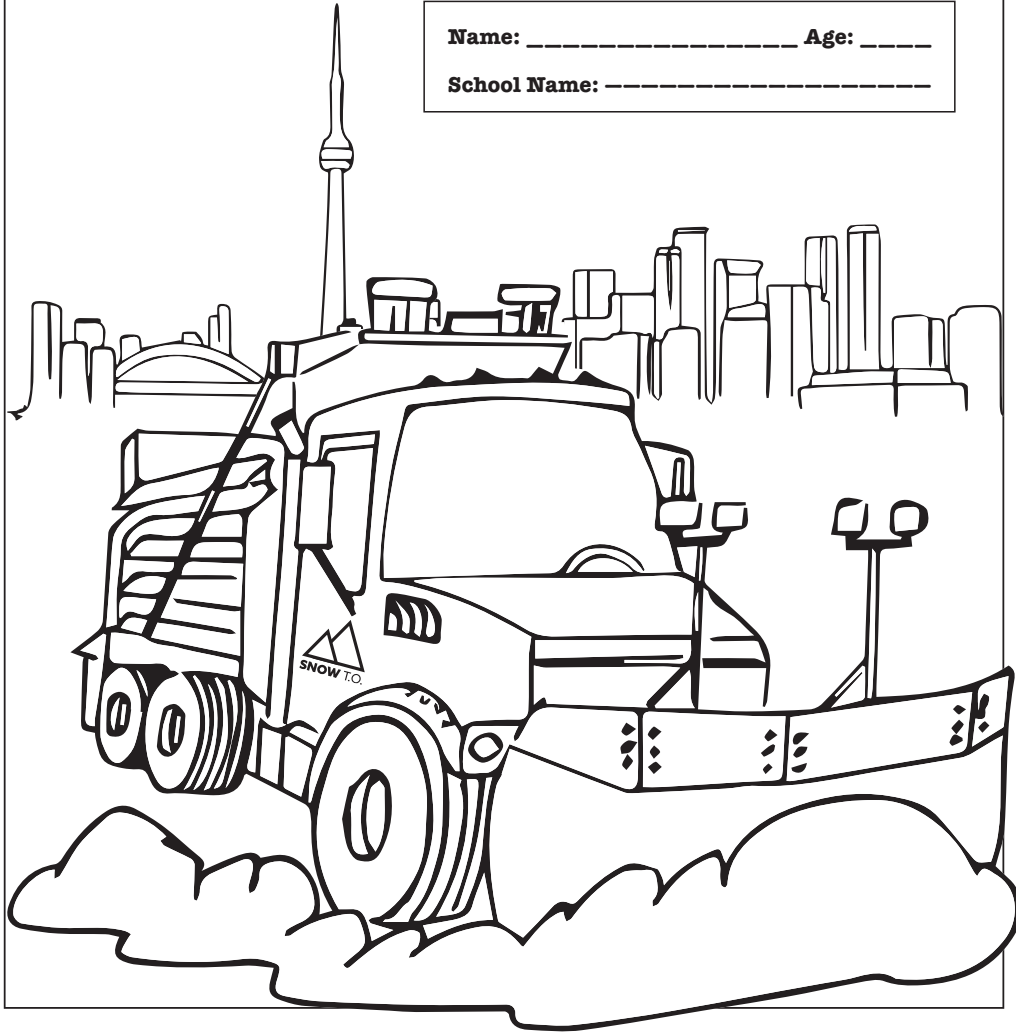


## Paint the Plow

**Draw yourself behind the steering wheel  
of the snowplow and colour the picture!**

Name: \_\_\_\_\_ Age: \_\_\_\_\_

School Name: \_\_\_\_\_



## Help your parents with Tips for Winter Driving

- Fully charged cell phone
- Flashlight with extra batteries
- Drinking water
- Winter coats, warm blankets or both
- First-aid kit and any prescribed medication
- Ice scraper and small shovel
- Bag of sand (or cat litter) for wheel traction
- Travel tool kit and battery cables
- Safety flares
- Road map
- Prepackaged fruits, nuts and nutrition bars



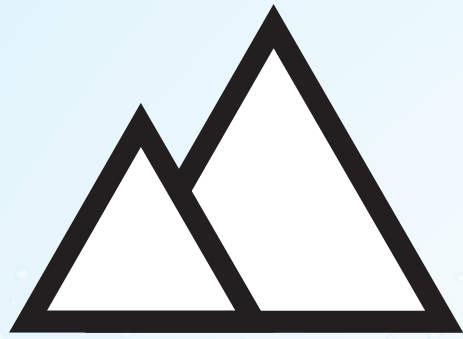
**SNOW T.O.**

# Can you spot the differences?

Circle the 7 differences between the two pictures and then colour the pictures.



- ANSWERS:  
1. CN Tower  
2. Flashing light on truck  
3. Windshield  
4. Stripes on hat  
5. Stripe on front plow  
6. Rear tire rim  
7. Little snow mound near tire



**SNOW T.O.**

